



**GENERAL
STRUCTURES
INC**

A DWM COMPANY

Quick-Ship Program

Quick-Ship Pole Options



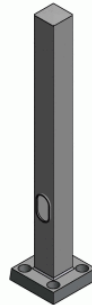
STEEL

CATALOG NUMBER	MOUNTING HEIGHT (FT)	SQUARE SIZE (IN.)	EFFECTIVE PROJECTED AREA RATING W/ 1.3 GUST (SQ. FT.)			
			80	90	100	120
CPS-1-4011-15	15	4	15.1	12.3	9.8	7.0
CPS-1-4011-20	20	4	9.0	7.3	5.9	4.2
CPS-1-4011-25	25	4	4.1	3.3	2.6	1.8
CPS-1-5011-25	25	5	8.5	6.9	5.6	4.0
CPS-1-5011-30	30	5	4.2	3.4	2.7	1.9
CPS-1-5007-30	30	5	10.6	8.6	6.9	4.9

ORDERS THAT MEET THE FOLLOWING CRITERIA SHIP IN 2 WEEKS OR LESS:

- » **Steel and aluminum pole options listed in the table to the left without any modifications** (i.e., special bolt circle, pole height other than listed here (cutback), drill mount and tenon top on same pole, mid-pole brackets, duplex/GFI receptacle, extended warranties, etc.)
- » **Standard T2 tenon or drilled up to four fixtures** (see next page for top-mount and bracket options)
- » **Dark Bronze, Textured Black, Textured Medium Bronze, Textured Grey, and Textured White powder-coat finish only**
- » **Steel 19 poles or less**
- » **Aluminum 10 poles or less**

All poles that meet the criteria above are shipped out with a direct-drill or tenon-mount top (see next page).



ALUMINUM

SQUARE STRAIGHT ALUMINUM

CATALOG NUMBER	MOUNTING HEIGHT (FT)	SQUARE SIZE (IN.)	EFFECTIVE PROJECTED AREA RATING W/ 1.3 GUST (SQ. FT.)			
			80	90	100	120
CPA-1-4018-16	16	4	8.9	6.8	5	2.1
CPA-1-4018-20	20	4	6.3	4.6	3.2	1
CPA-1-5018-20	20	5	10.8	8.1	5.8	1.5
CPA-1-5018-25-VD	25	5	7.3	5.1	3.3	1

ROUND STRAIGHT ALUMINUM

CATALOG NUMBER	MOUNTING HEIGHT (FT)	DIAMETER O.D. (IN.)	EFFECTIVE PROJECTED AREA RATING W/ 1.3 GUST (SQ. FT.)			
			80	90	100	120
CPA-4-5018-12	12	5	10.9	8.4	6.3	4.3
CPA-4-5018-16	16	5	11.6	8.8	6.5	4.2
CPA-4-5018-20	20	5	8.2	6	4.1	2.5

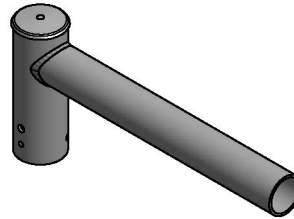


QUICK-SHIP DRILL, TENON, AND BRACKET OPTIONS

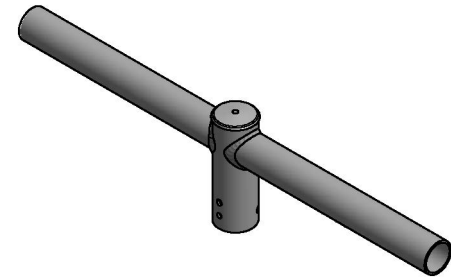
Below are the bracket options that may accompany the quick-ship pole orders with a quantity of 19 or less for steel and quantity of 10 or less for aluminum poles and ship in 2 weeks or less. Selection of other brackets or colors outside of the color key excludes an order from the Quick-Ship Program.

Color Key for Quick Ship Products

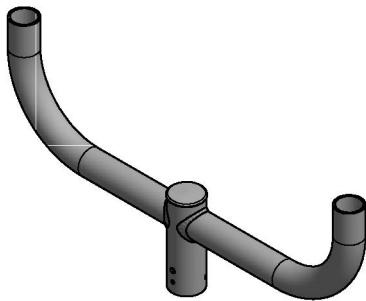
DESIGN	COLOR
TWH	Textured White
DB	Dark Bronze
TMB	Textured Medium Bronze
TGR	Textured Gray
TBK	Textured Black



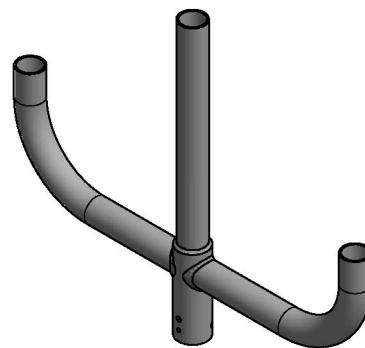
SB-19



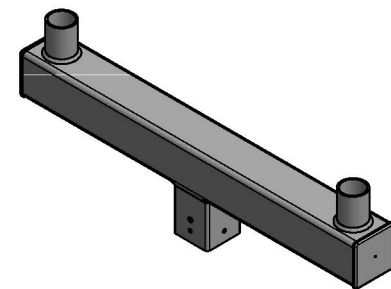
SB-218



PTB-2



PTB-3



SMB-2